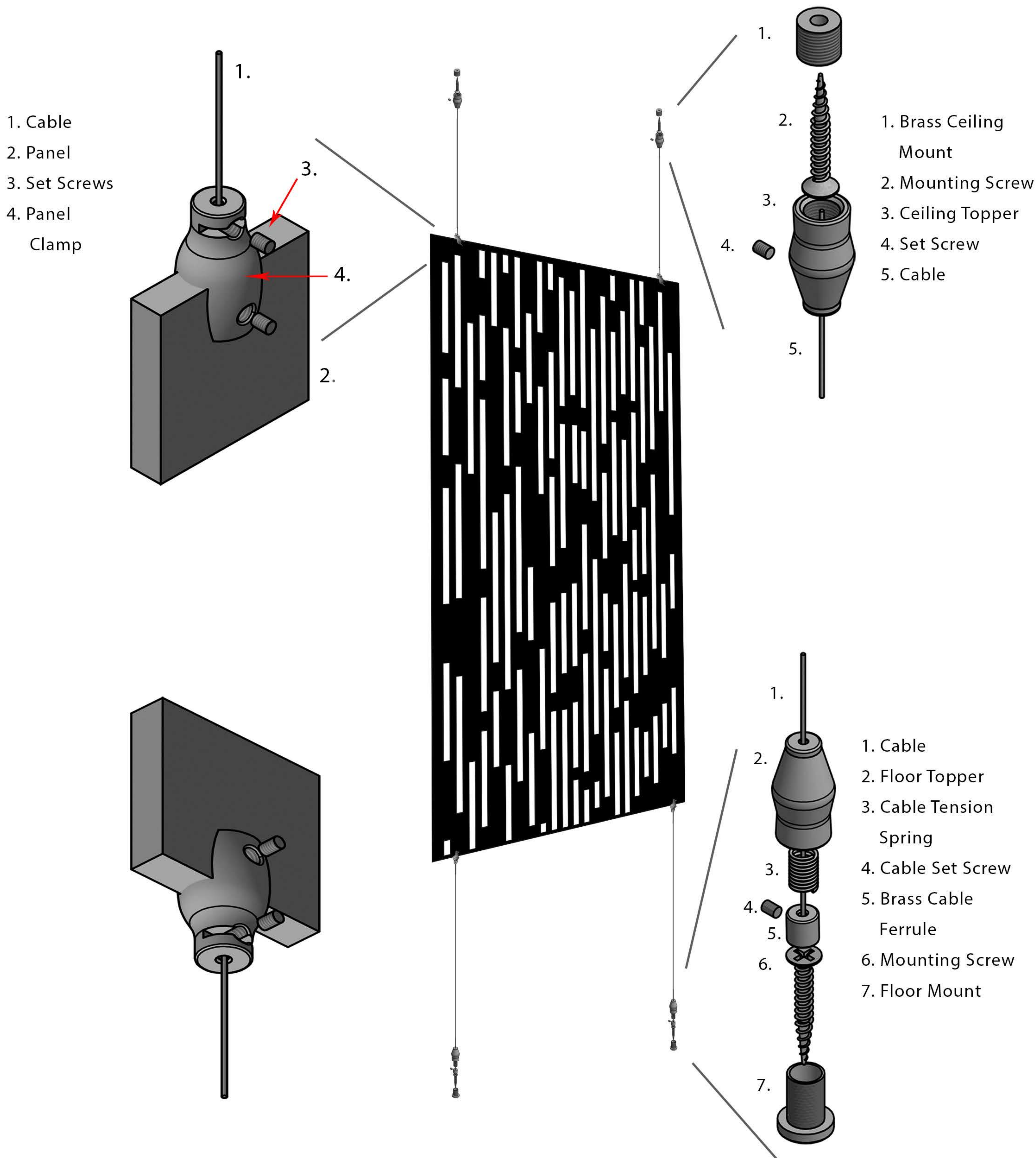
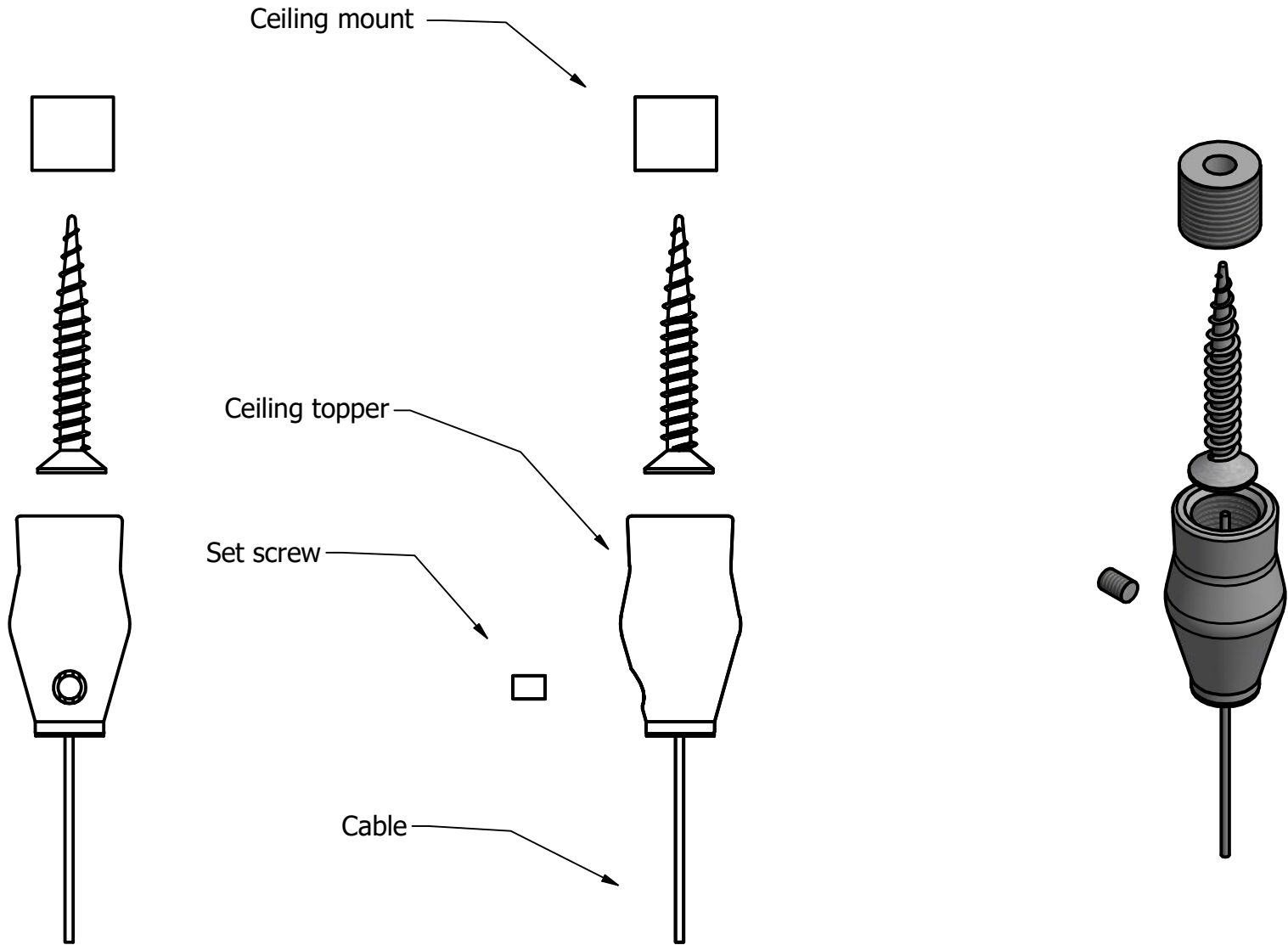


# RESONANCE HARDWARE



for RESONANCE ACOUSTIC, RESONANCE ONE, SCREENS, and V-CARVED PANELS





DANIEL TROUTMAN

ASSEMBLY-2: CABLE SYSTEM

DATE

SCALE

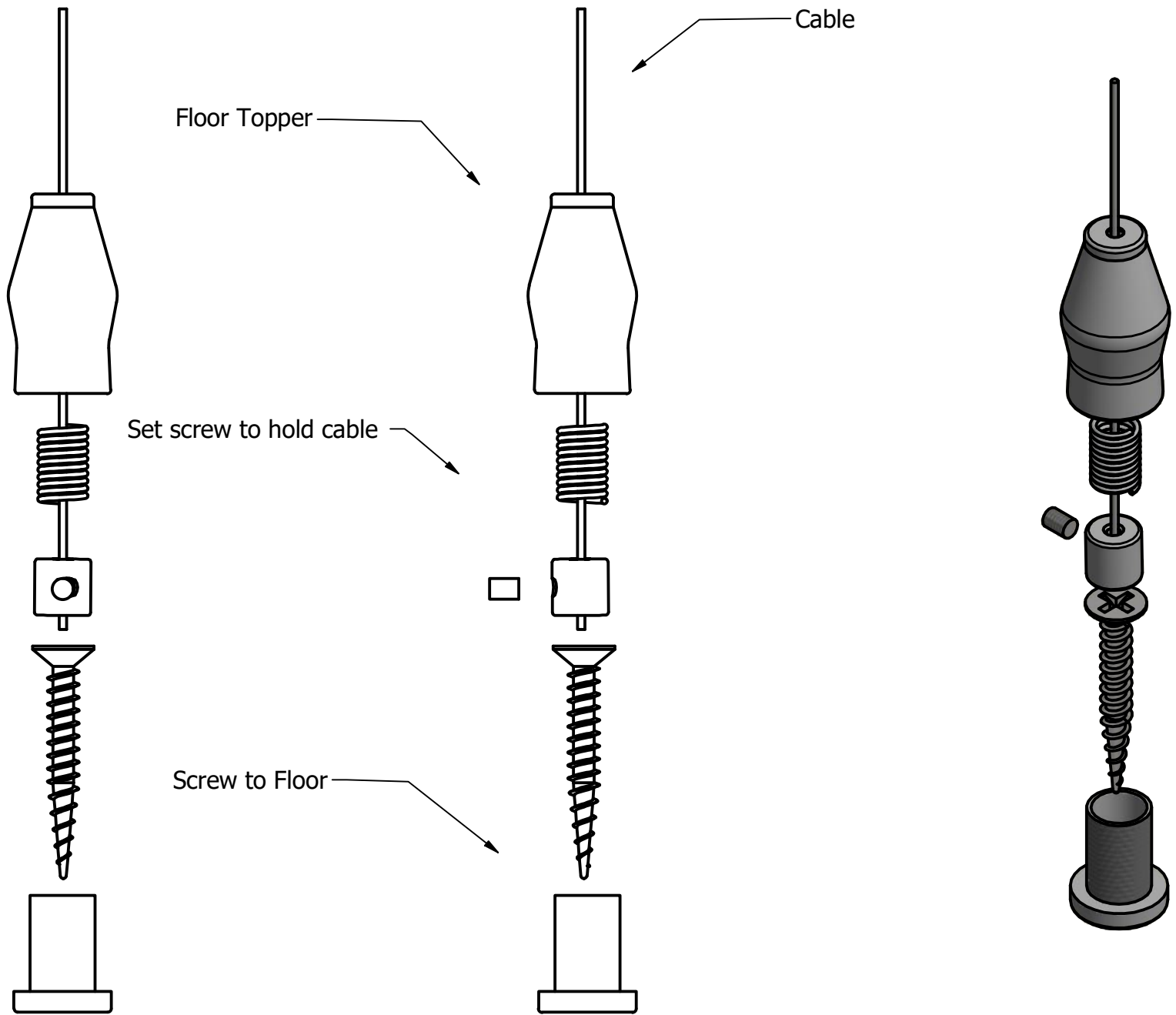
INTERLAM


PAGE: 002

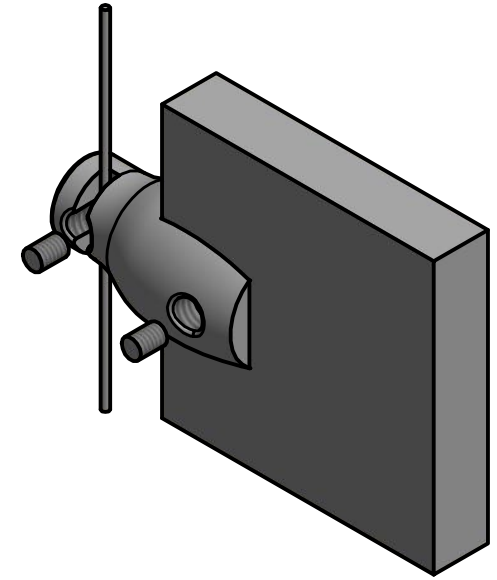
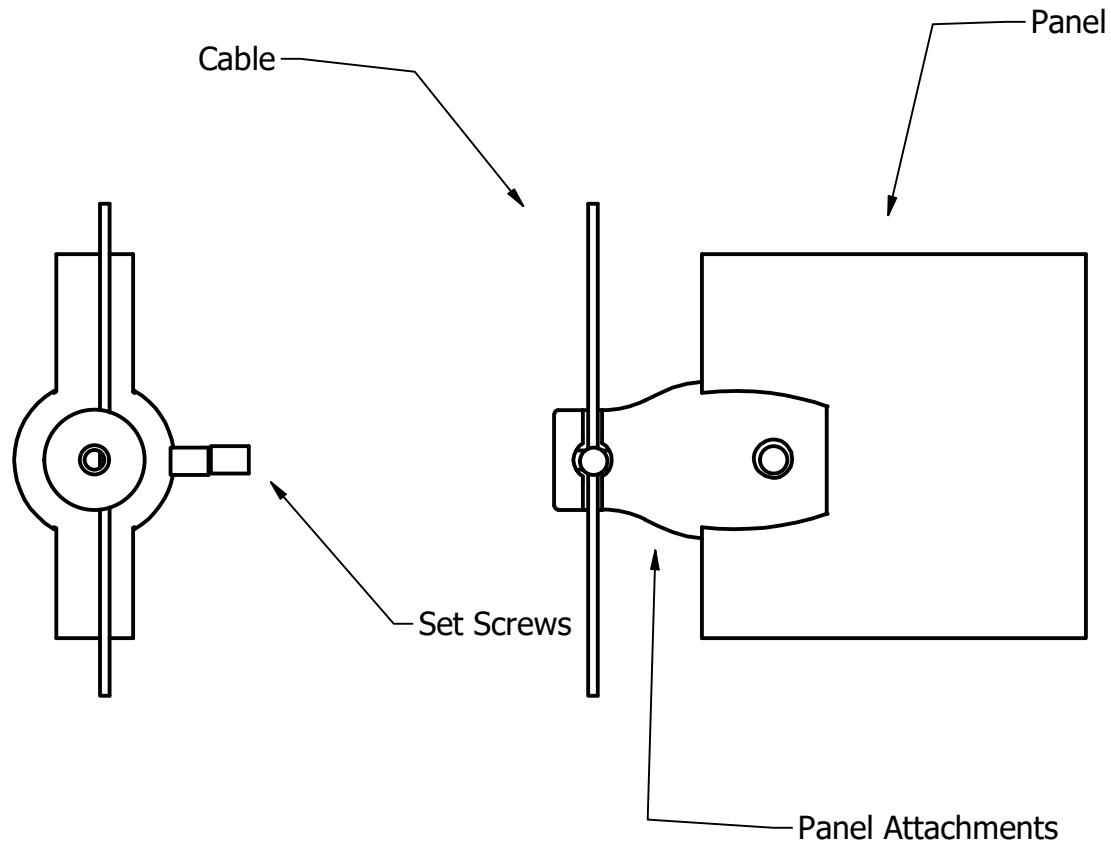
9/16/2019


1 : 1

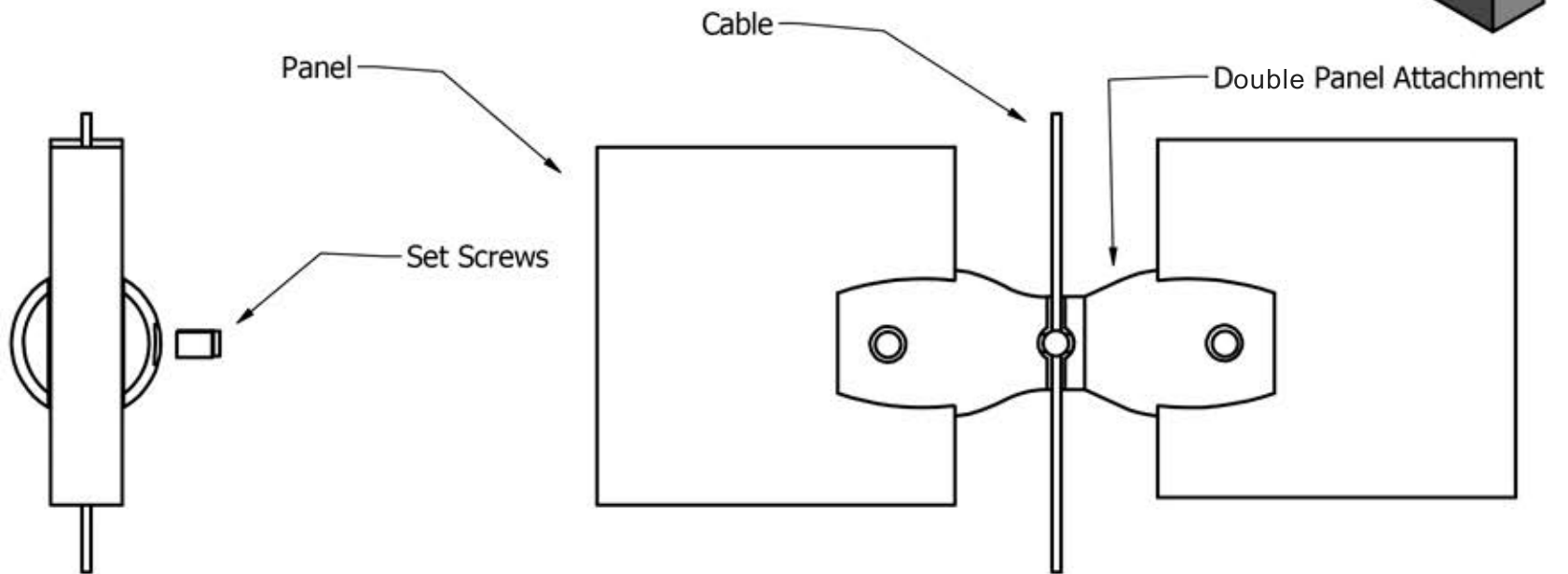
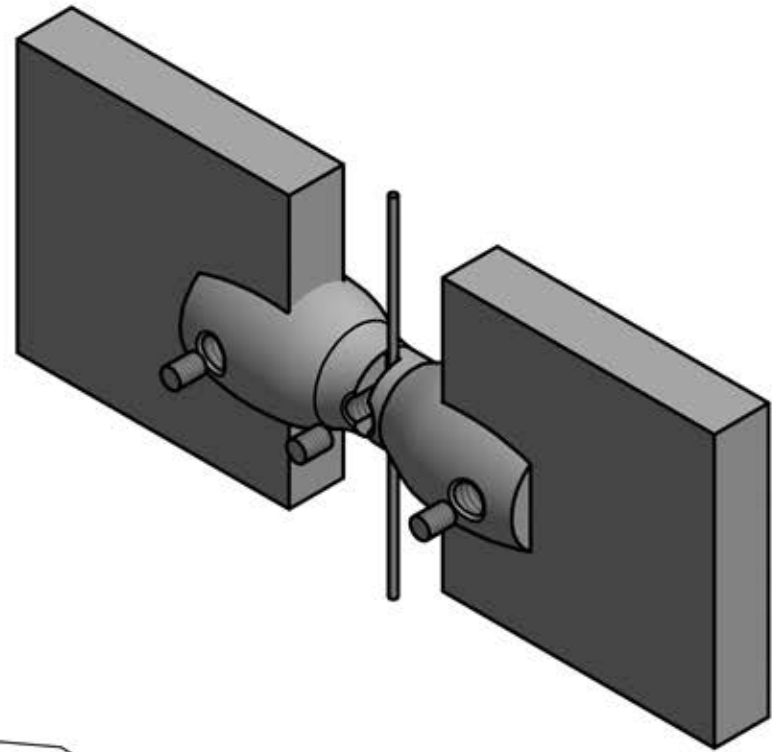





DANIEL TROUTMAN	ASSEMBLY-1: CABLE SYSTEM	DATE	SCALE	
INTERLAM	PAGE: 001	9/16/2019	:	



DANIEL TROUTMAN	ASSEMBLY-3: CABLE SYSTEM	DATE	SCALE	
INTERLAM	PAGE: 003	9/16/2019	1 : 1	

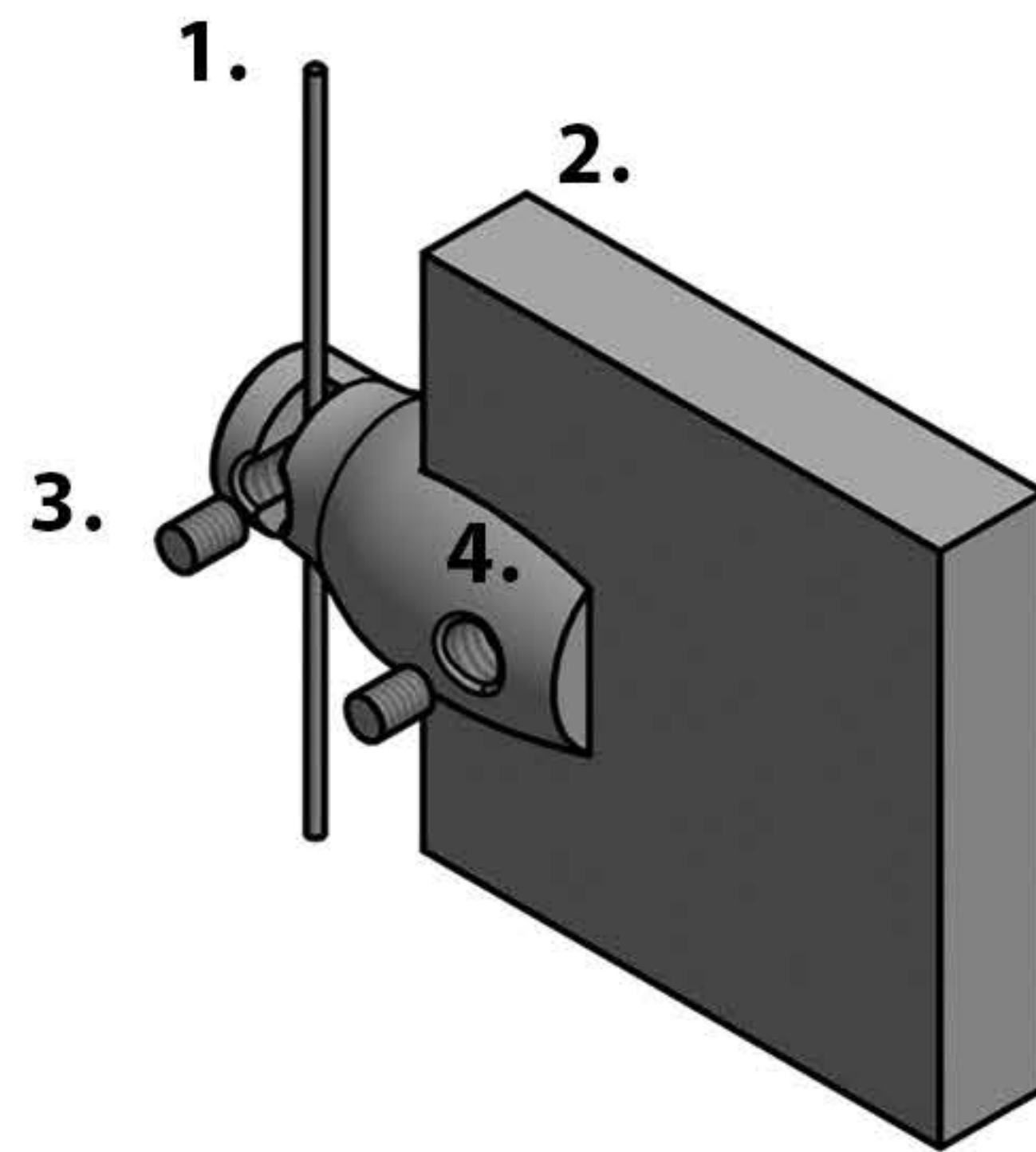


DANIEL TROUTMAN	ASSEMBLY-5: CABLE SYSTEM	DATE	SCALE	
INTERLAM	PAGE: 005	9/16/2019	1 : 1	

## OTHER OPTIONS

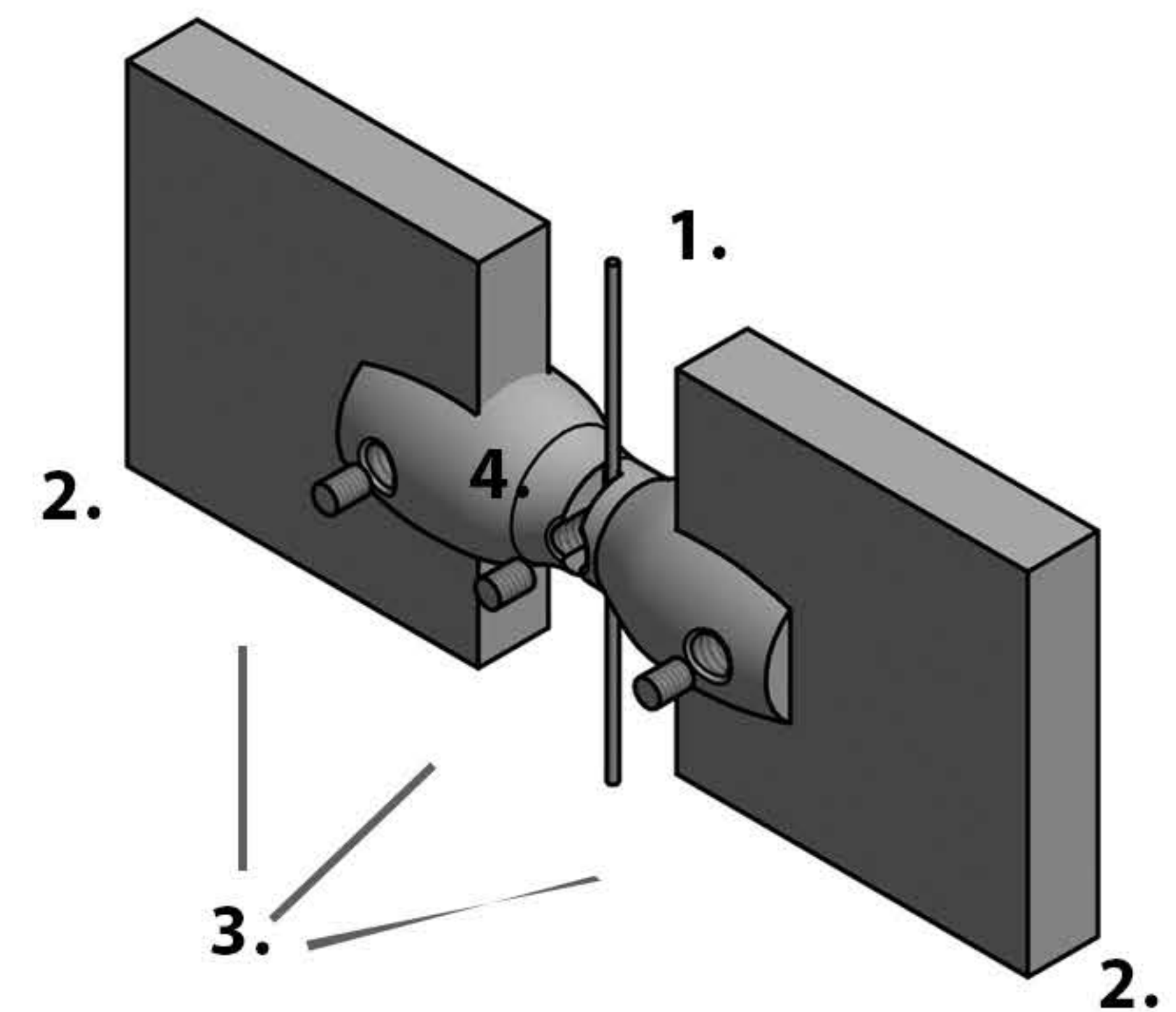
### Panel Side Mount

1. Cable
2. Panel
3. Set Screws
4. Panel Attachment



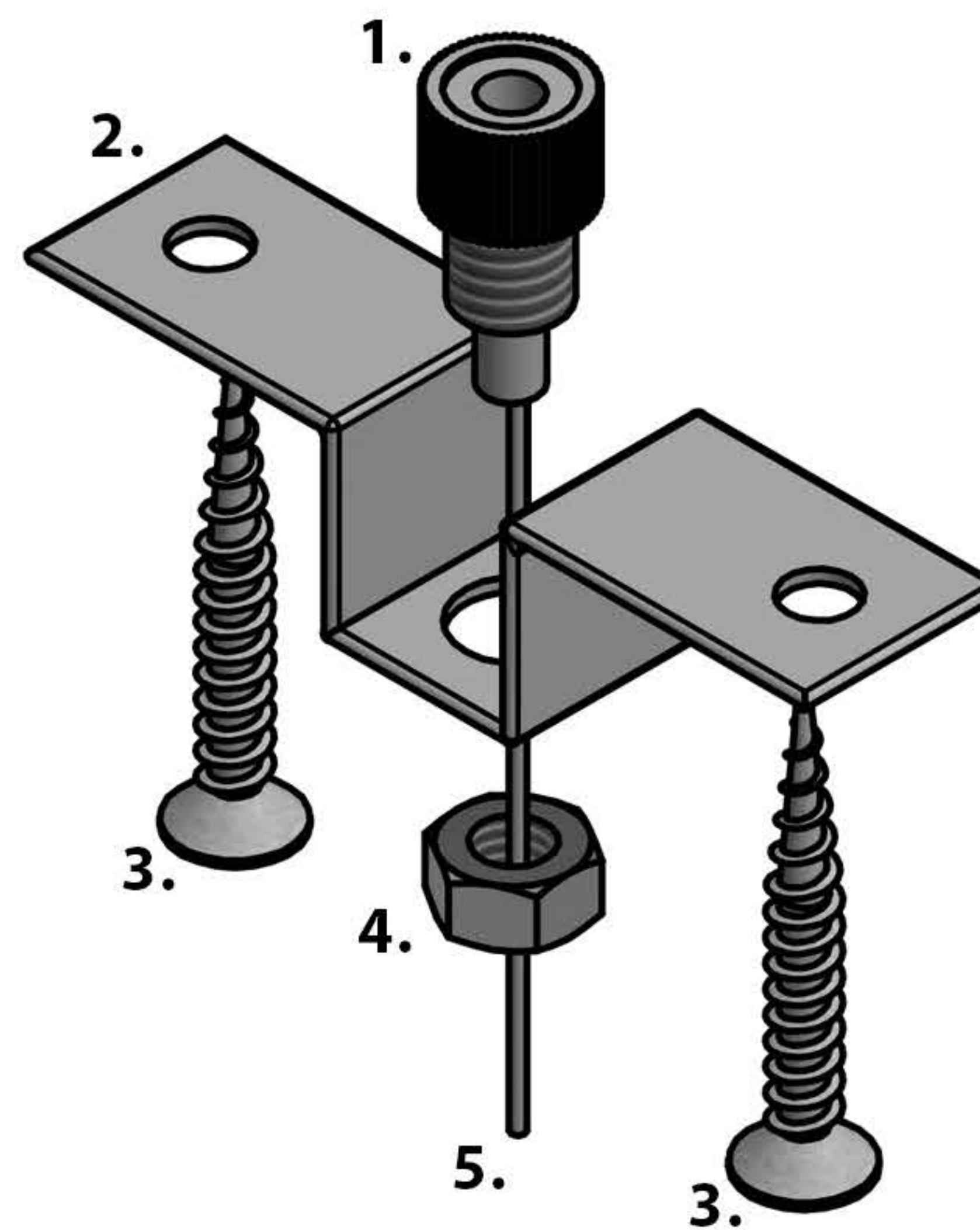
### Dual Side Mount

1. Cable
2. Panel
3. Set Screws
4. Panel Attachment



### Ceiling Mount

1. Cable Topper
2. Mounting Bracket
3. Mounting Screws
4. Bottom Nut
5. Cable



### Panel Clamps

These can be mounted to the floor, ceiling or wall.

See our website for more information.

