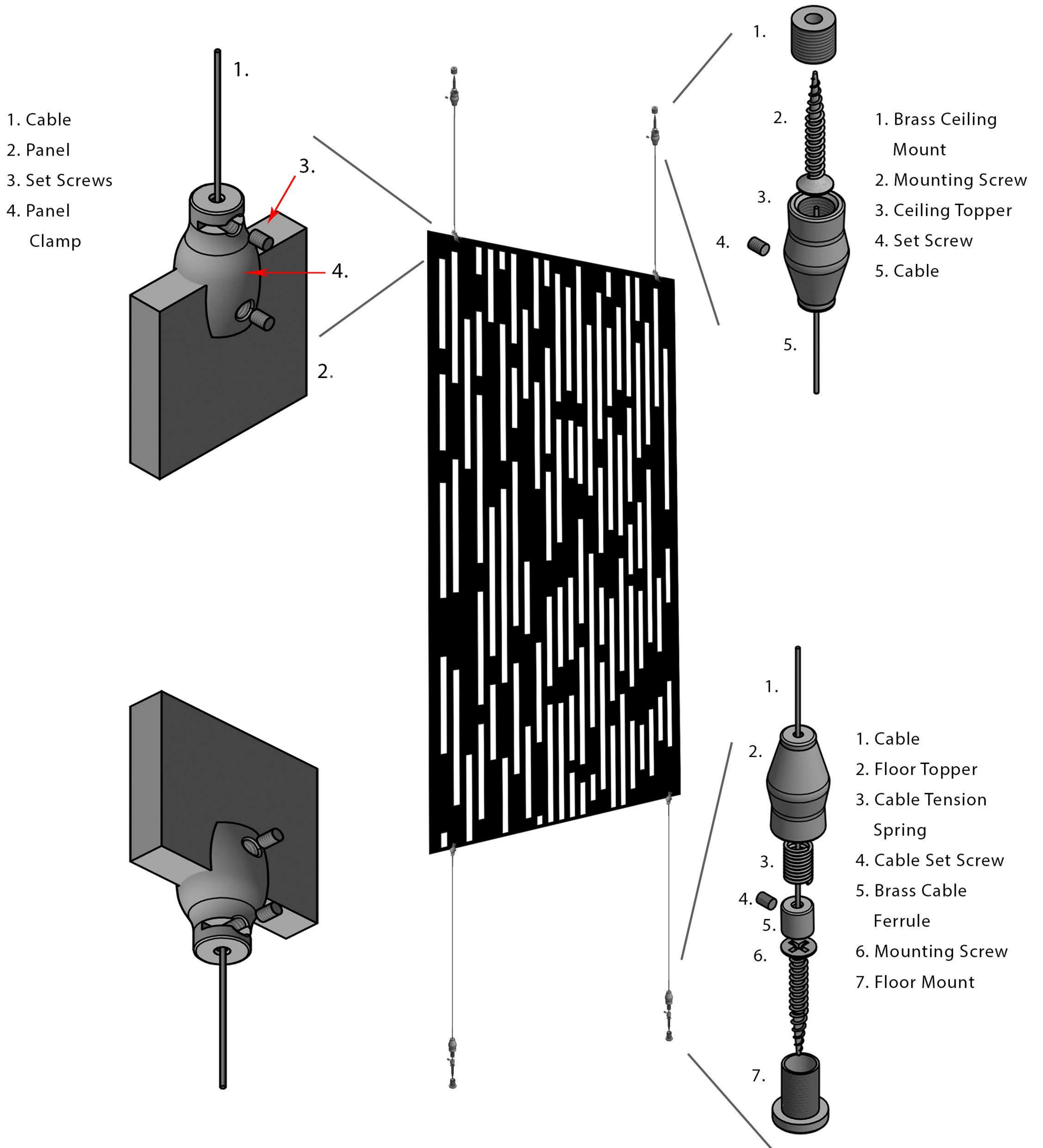
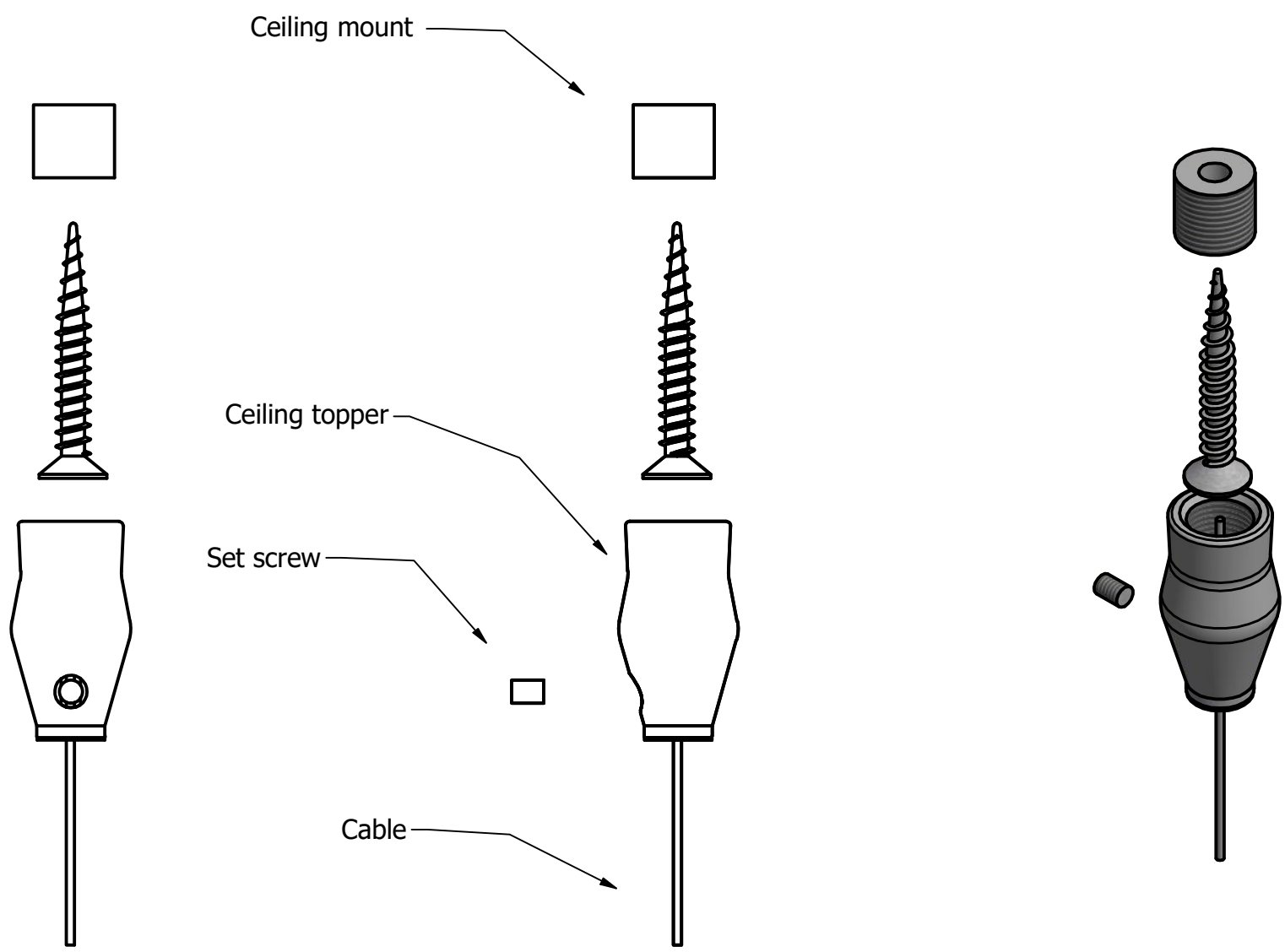



RESONANCE HARDWARE

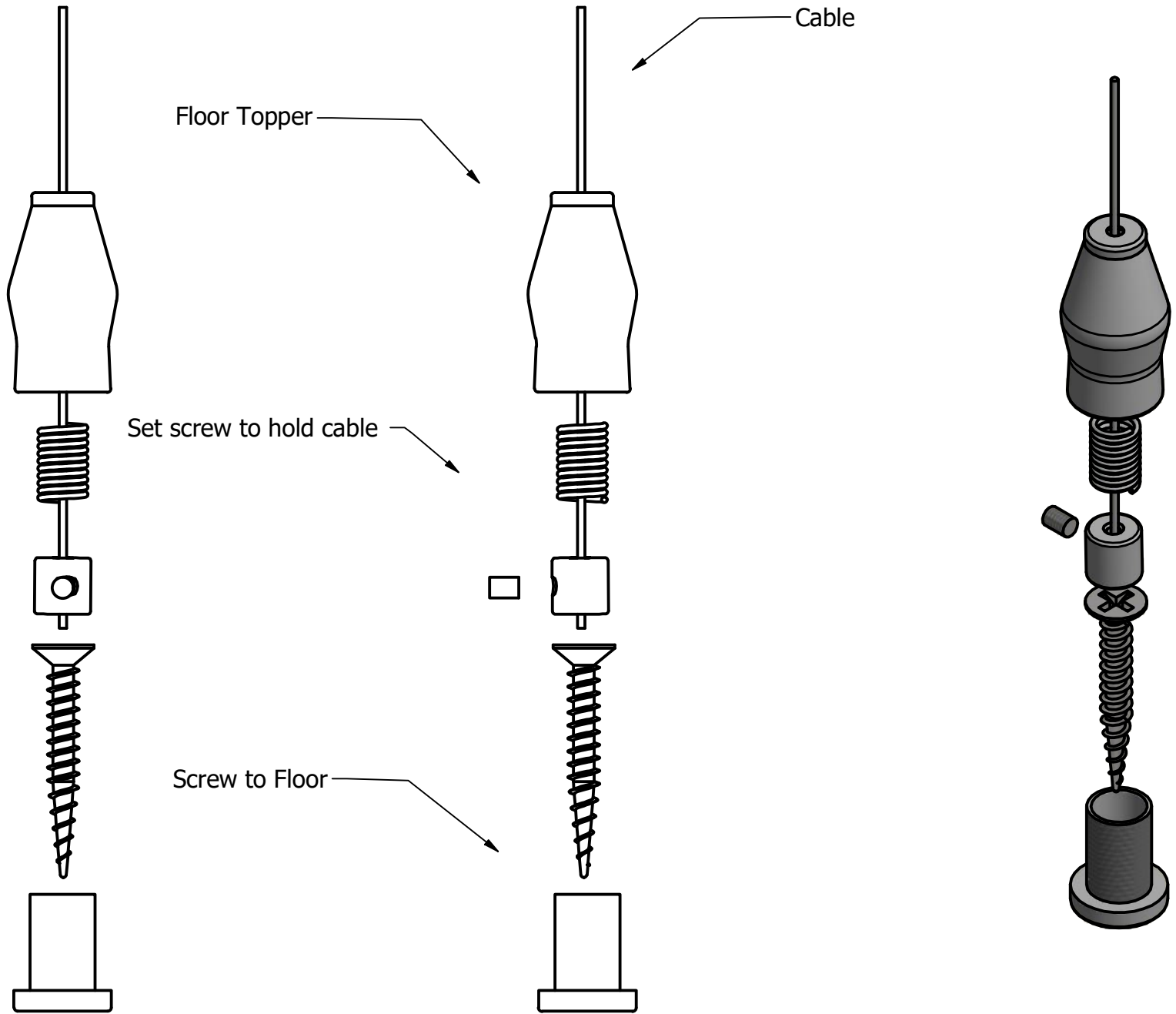


for RESONANCE ACOUSTIC, RESONANCE ONE, SCREENS, and V-CARVED PANELS





DANIEL TROUTMAN	ASSEMBLY-2: CABLE SYSTEM	DATE	SCALE	
INTERLAM	PAGE: 002	9/16/2019	1 : 1	



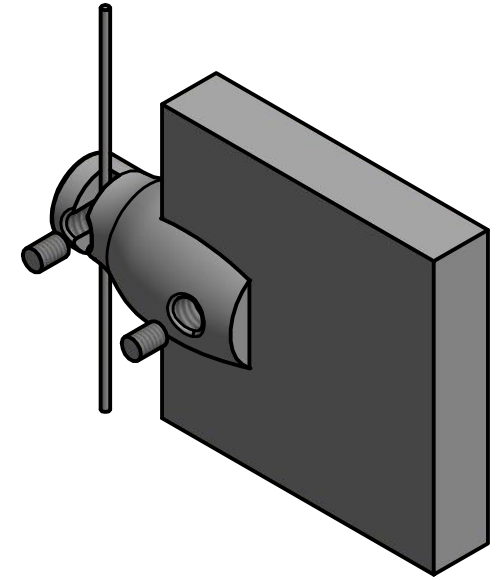
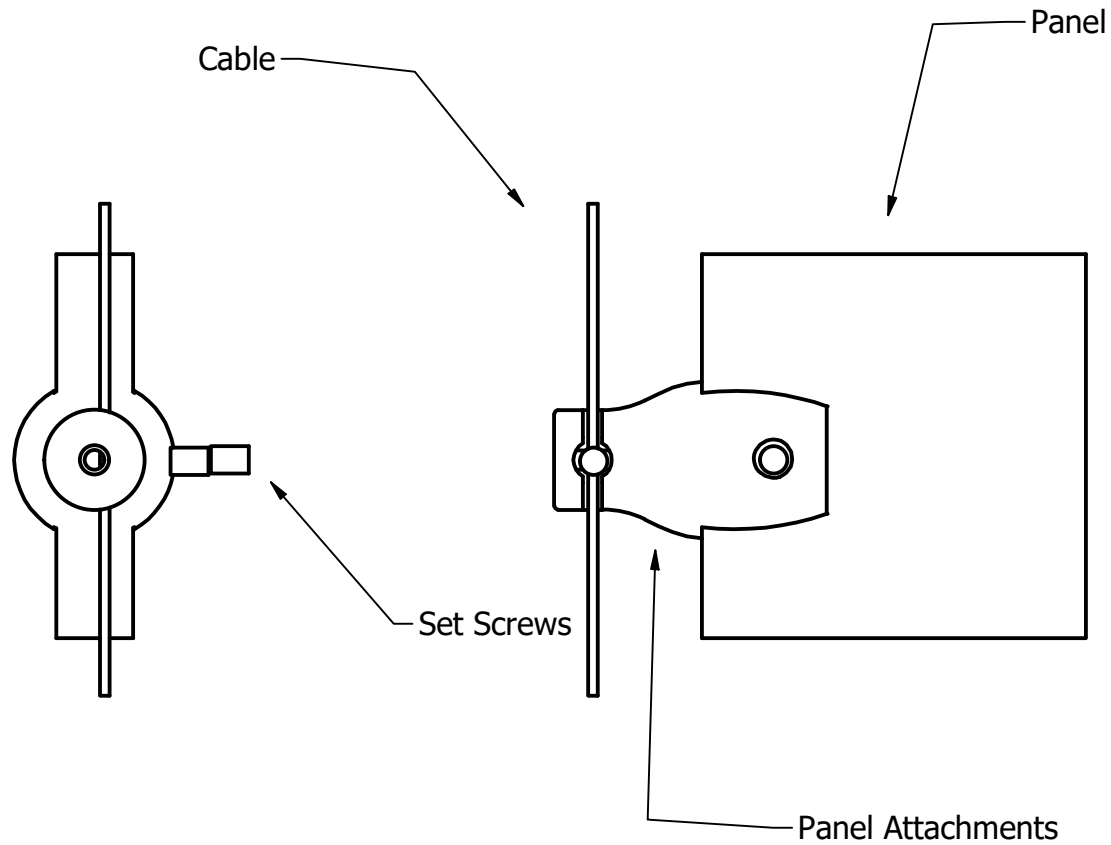
DANIEL TROUTMAN
INTERLAM


ASSEMBLY-1: CABLE SYSTEM
PAGE: 001

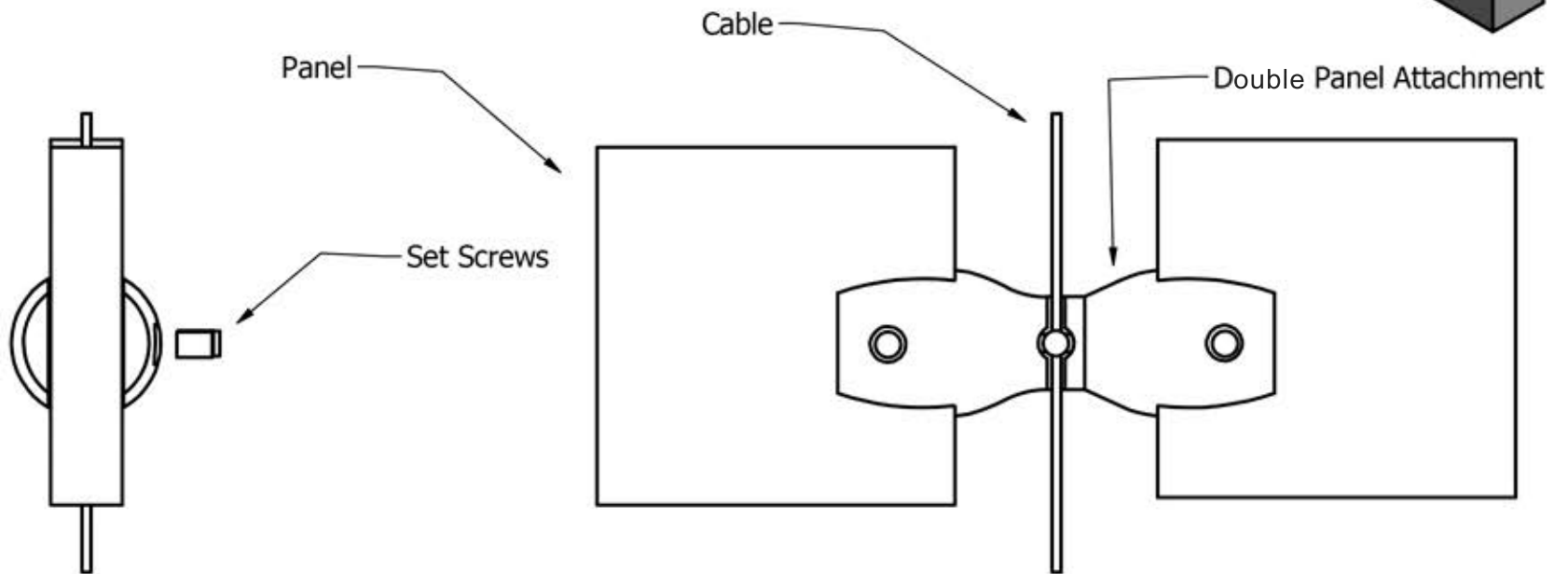
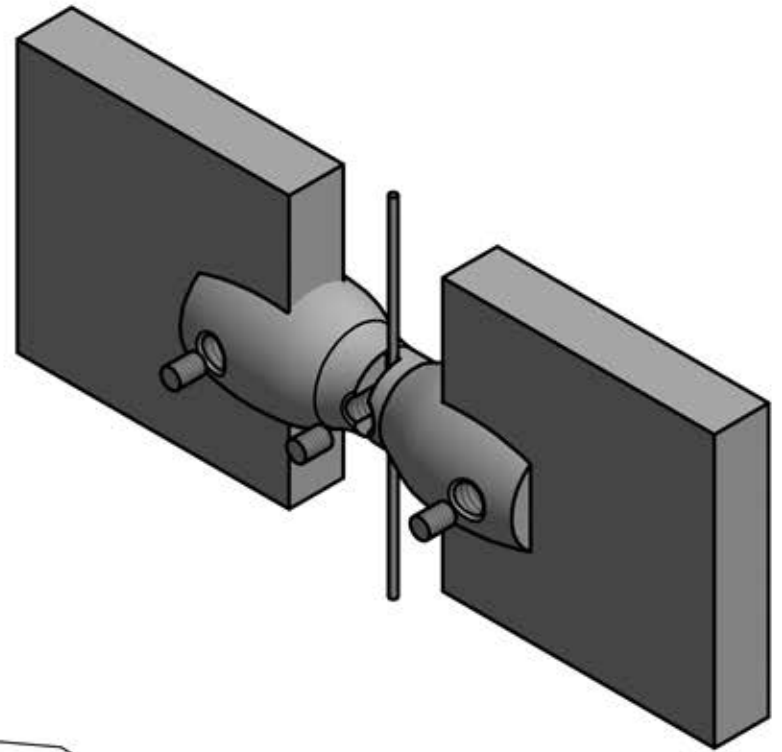
DATE
9/16/2019


SCALE
:





DANIEL TROUTMAN	ASSEMBLY-3: CABLE SYSTEM	DATE	SCALE	
INTERLAM	PAGE: 003	9/16/2019	1 : 1	

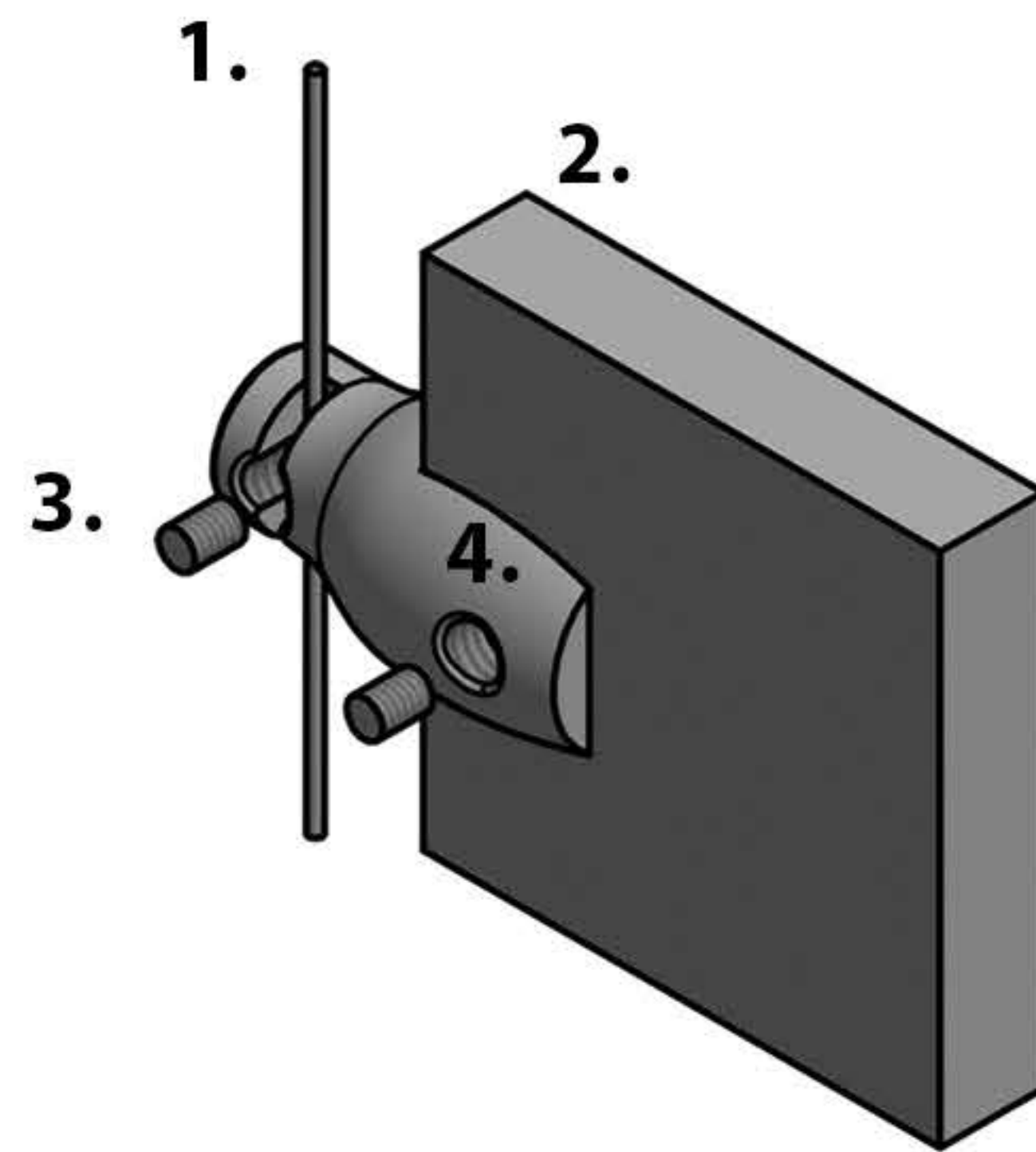


DANIEL TROUTMAN	ASSEMBLY-5: CABLE SYSTEM	DATE	SCALE	
INTERLAM	PAGE: 005	9/16/2019	1 : 1	

OTHER OPTIONS

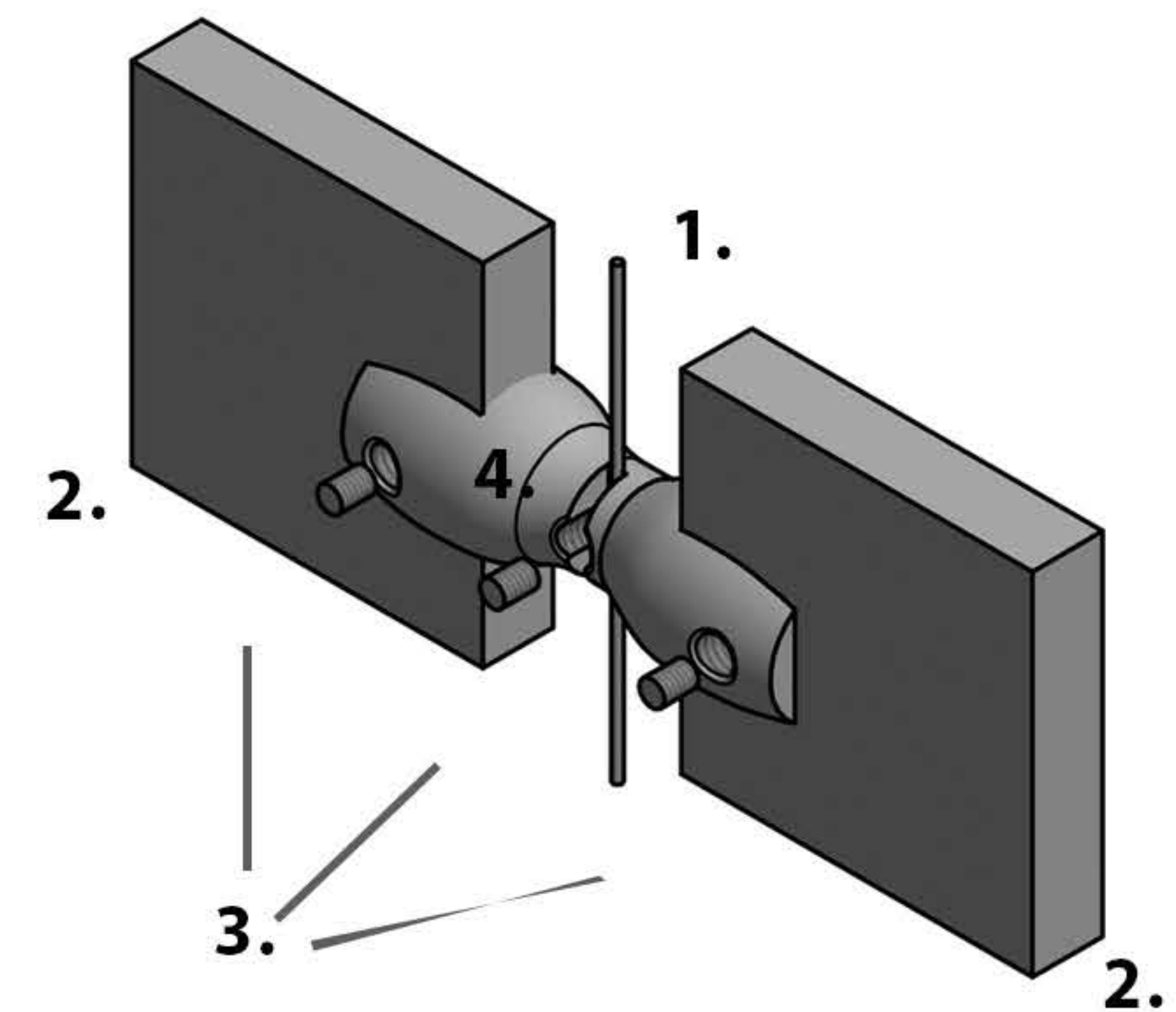
Panel Side Mount

1. Cable
2. Panel
3. Set Screws
4. Panel Attachment



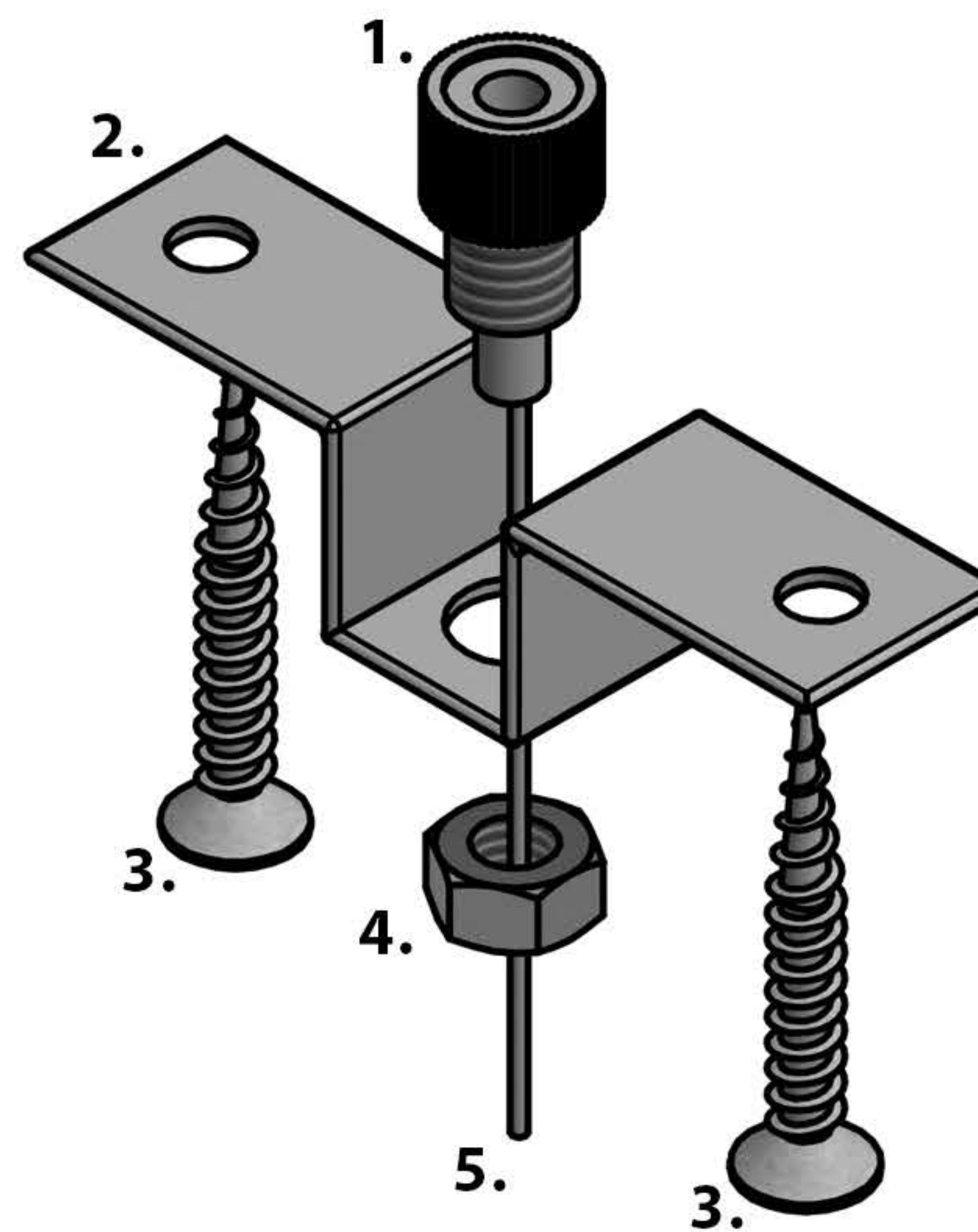
Dual Side Mount

1. Cable
2. Panel
3. Set Screws
4. Panel Attachment



Ceiling Mount

1. Cable Topper
2. Mounting Bracket
3. Mounting Screws
4. Bottom Nut
5. Cable



Panel Clamps

These can be mounted to the floor, ceiling or wall.

See our website for more information.

